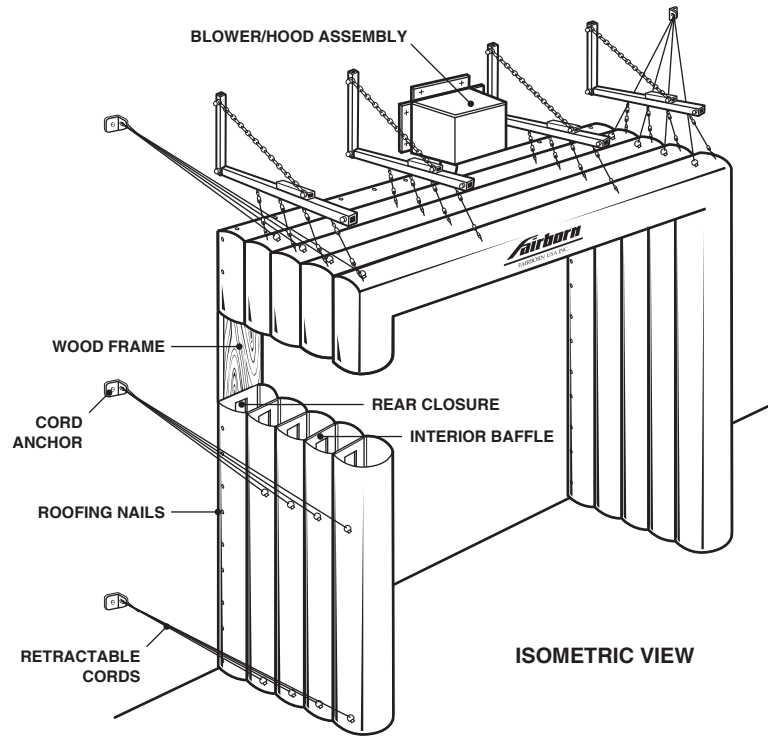
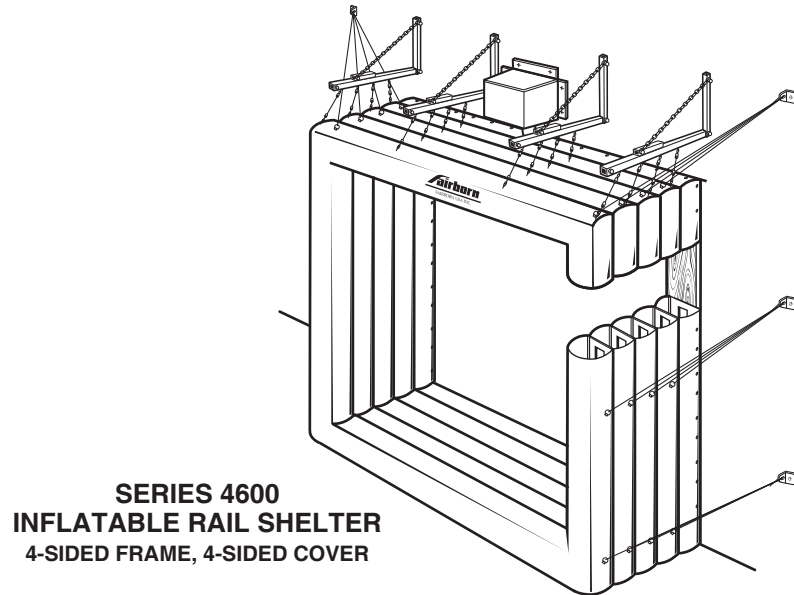


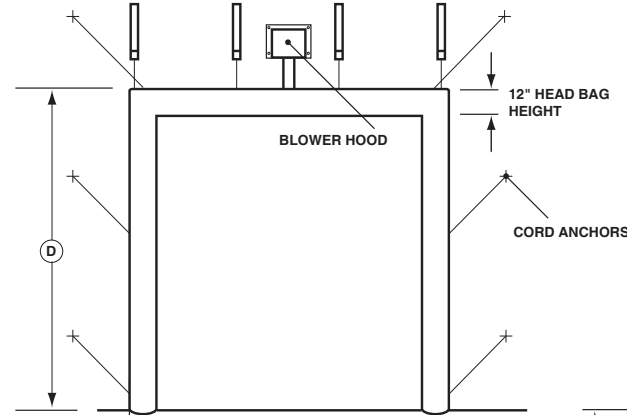
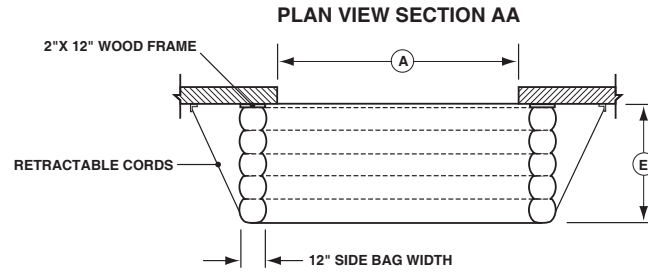
**SERIES 4500
INFLATABLE RAIL SHELTER**



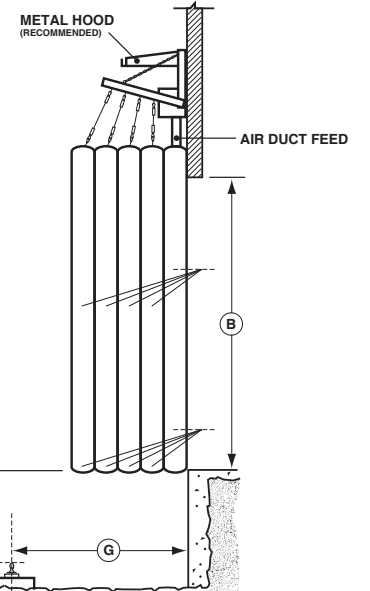
ISOMETRIC VIEW



**SERIES 4600
INFLATABLE RAIL SHELTER**
4-SIDED FRAME, 4-SIDED COVER



FRONT ELEVATION VIEW



SIDE VIEW

- _____ "A" DOOR WIDTH
- _____ "B" DOOR HEIGHT
- _____ "C" UNIT WIDTH
- _____ "D" UNIT HEIGHT
- _____ "E" UNIT PROJ.
- _____ "F" DOCK HEIGHT (FROM TOP OF RAIL)
- _____ "G" DIMENSION TO NEAREST RAIL

- PERMANENT RAIL RAMP
- CANTILEVER DOCK
_____ HIGH BY _____ PROJ.
- OUTSIDE SLIDING DOOR

FABRIC TYPE

- 22 OZ. VINYL AIRLITE
- 16 OZ. HYPALON
- DYNAFLEX

OPTIONS

- FORMED STEEL FRAME (MIN. 14 GA.)
 PAINTED GALVANIZED
- DROP CURTAIN _____" LONG

- PULL ROPE ASSEMBLY FOR ABOVE
- OVERHEAD TRACK (VS. RETRACTABLE CORDS)
- ALTERNATE BLOWER LOCATION
 RIGHT OF UNIT
 LEFT OF UNIT

FB- _____ QTY. _____ SHEET _____ OF _____



P.O. BOX 151 • 205 BROADVIEW STREET
UPPER SANDUSKY, OHIO 43351
800-262-1188 • 419-294-4987 • FAX: 419-294-4980
VISIT US AT... WWW.FAIRBORNUSA.COM

JOB:

LOCATION:

CONTRACTOR:

ARCHITECT:

APPROVED BY SIGNATURE: