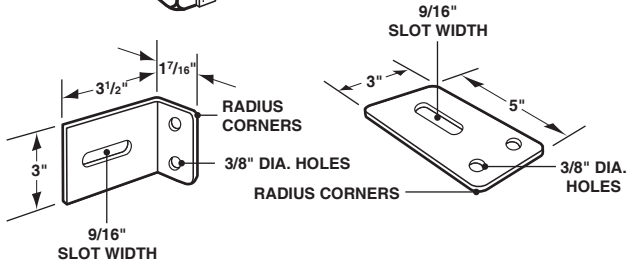
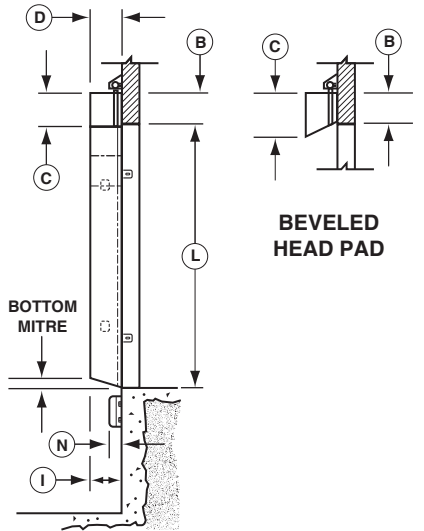
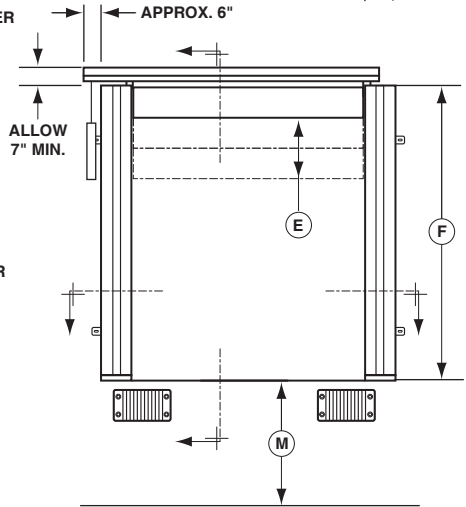
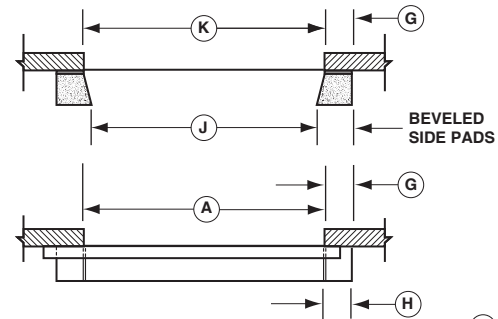
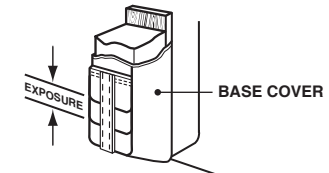
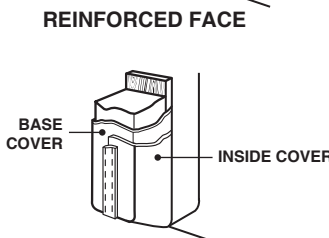
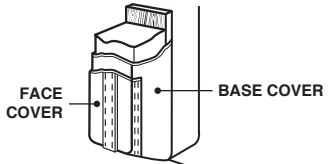
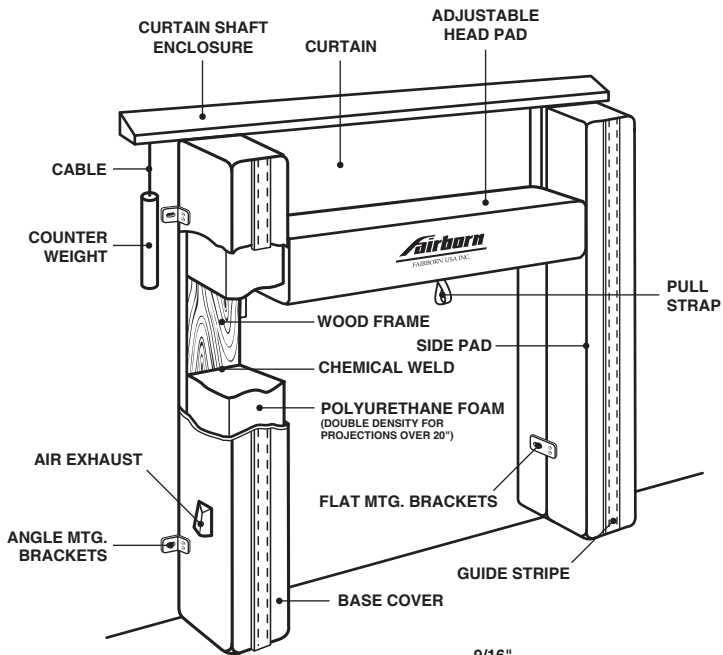
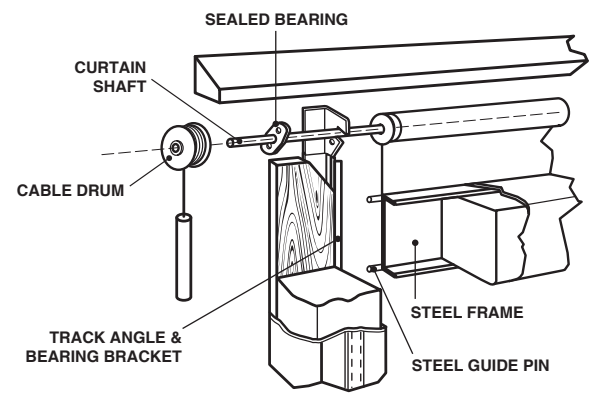


**SERIES 1200  
ADJUSTABLE HEADER  
DOCK SEAL**



**ANGLE AND FLAT MOUNTING BRACKETS**



**HEAD PAD DATA**

- \_\_\_\_\_ "A" WIDTH AT REAR
- \_\_\_\_\_ "B" HEIGHT AT REAR
- \_\_\_\_\_ "C" HEIGHT AT FACE
- \_\_\_\_\_ "D" TOTAL PROJECTION
- \_\_\_\_\_ BASE FABRIC
- \_\_\_\_\_ COLOR

- BLOCKOUT (IF REQUIRED) PROJECTION
  - \_\_\_\_\_ FABRIC
  - \_\_\_\_\_ COLOR
- FACE REINFORCEMENT
  - \_\_\_\_\_ FABRIC
  - \_\_\_\_\_ COLOR
- UNDERSIDE REINFORCEMENT
  - \_\_\_\_\_ FABRIC
  - \_\_\_\_\_ COLOR

- HEAD PAD VERTICAL ADJUSTMENT "E"**
- 18" (STD.)  24"  30"
  - OTHER \_\_\_\_\_"

- FORMED STEEL BACK
- PAINTED  GALVANIZED

**SIDE PAD DATA**

- \_\_\_\_\_ "F" LENGTH AT REAR
- \_\_\_\_\_ "G" WIDTH AT REAR
- \_\_\_\_\_ "H" WIDTH AT FACE
- \_\_\_\_\_ "D" TOTAL PROJ. AT TOP
- \_\_\_\_\_ "I" TOTAL PROJ. AT BOTTOM
- \_\_\_\_\_ "J" SIDE PAD FACE I.D.
- \_\_\_\_\_ BASE FABRIC
- \_\_\_\_\_ COLOR

- BLOCKOUT (IF REQUIRED) PROJ: \_\_\_\_\_ TOP \_\_\_\_\_ BOTTOM
  - \_\_\_\_\_ FABRIC
  - \_\_\_\_\_ COLOR

- FACE REINFORCEMENT
  - \_\_\_\_\_ FABRIC
  - \_\_\_\_\_ COLOR

- INSIDE EDGE REINFORCEMENT
  - \_\_\_\_\_ FABRIC
  - \_\_\_\_\_ COLOR

- DYNA-ARMOR PLEATS
  - \_\_\_\_\_ FABRIC
  - \_\_\_\_\_ COLOR
  - \_\_\_\_\_ PLEAT EXPOSURE

- FORMED STEEL BACK
- PAINTED  GALVANIZED

- NON-ROT BACK

**GENERAL INFORMATION**

- \_\_\_\_\_ "K" DOOR WIDTH
- \_\_\_\_\_ "L" DOOR HEIGHT
- \_\_\_\_\_ "M" DOCK HEIGHT
- \_\_\_\_\_ "N" DOCK BUMPER/LEDGE COMBINED PROJECTION

- DRIVE APPROACH:**
- LEVEL  DECLINED  INCLINED

FB-\_\_\_\_ QTY.\_\_\_\_ SHEET \_\_\_\_ OF \_\_\_\_



P.O. BOX 151 • 205 BROADVIEW STREET  
UPPER SANDUSKY, OHIO 43351  
800-262-1188 • 419-294-4987 • FAX: 419-294-4980  
VISIT US AT... WWW.FAIRBORNUSA.COM

**JOB:** \_\_\_\_\_

**LOCATION:** \_\_\_\_\_

**CONTRACTOR:** \_\_\_\_\_ **ARCHITECT:** \_\_\_\_\_

**APPROVED BY SIGNATURE:** \_\_\_\_\_