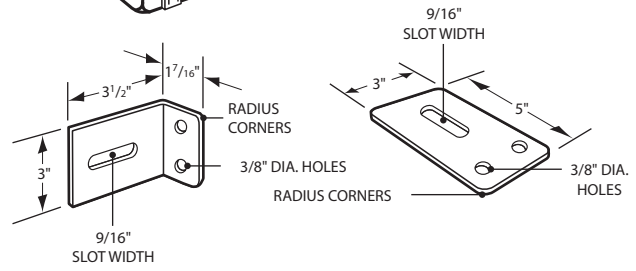
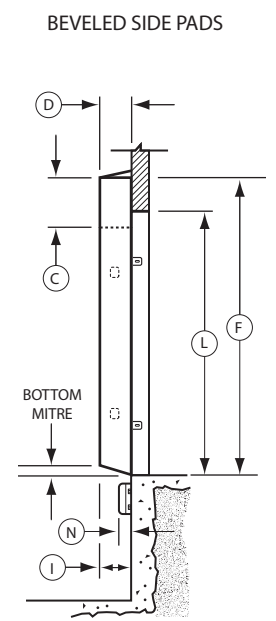
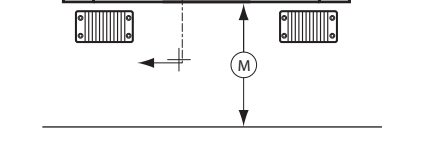
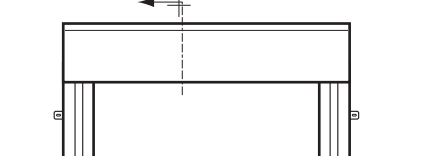
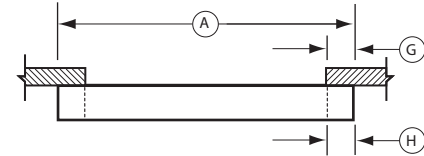
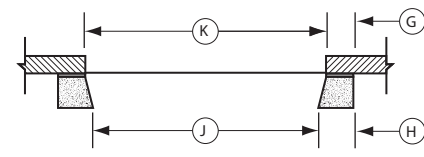
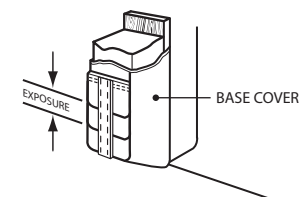
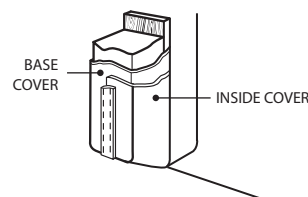
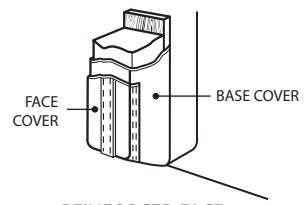
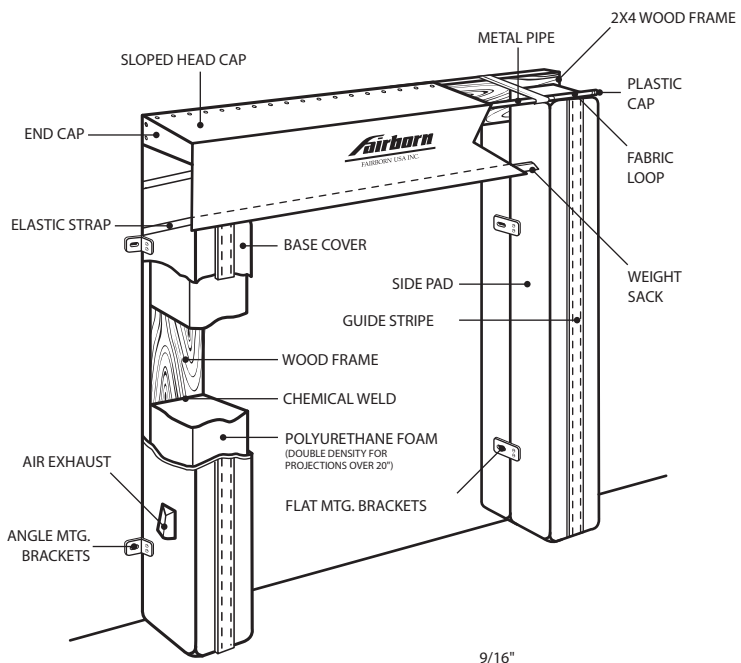
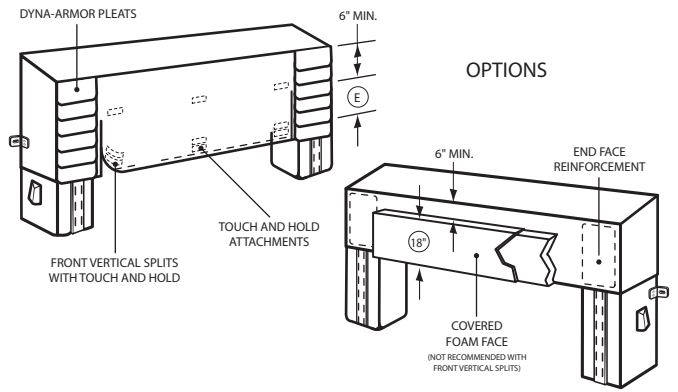


SERIES 1400
HEAD CAP TYPE
DOCK SEAL



ANGLE AND FLAT MOUNTING BRACKETS



OPTIONS

- DYNA-ARMOR PLEATS
- 4" EXPOSURE
 - 8" EXPOSURE
 - 16" EXPOSURE

<p>HEAD CAP DATA</p> <p>____ "A" WIDTH</p> <p>____ "C" HEIGHT AT FACE</p> <p>____ "D" TOTAL PROJECTION</p> <p>____ BASE FABRIC</p> <p>____ COLOR</p> <p><input type="checkbox"/> END FACE REINFORCEMENT</p> <p>____ FABRIC</p> <p>____ COLOR</p> <p><input type="checkbox"/> DYNA-ARMOR ENDS</p> <p>____ FABRIC</p> <p>____ COLOR</p> <p>____ "PLEAT EXPOSURE</p> <p><input type="checkbox"/> FRONT VERTICAL SPLITS</p> <p>____ "E" SPLIT HEIGHT (C-6"= MAX. SPLIT)</p> <p><input type="checkbox"/> TOUCH AND HOLD ATTACHMENT</p> <p><input type="checkbox"/> ROPE/PULLEY SYSTEM</p>	<p><input type="checkbox"/> COVERED FOAM FACE</p> <p>4" THICK X 18" HIGH X</p> <p>"J" SIDE PAD FACE I.D.</p> <p>SIDE PAD DATA</p> <p>____ "F" LENGTH AT REAR</p> <p>____ "G" WIDTH AT REAR</p> <p>____ "H" WIDTH AT FACE</p> <p>____ "D" TOTAL PROJ. AT TOP</p> <p>____ "I" TOTAL PROJ. AT BOTTOM</p> <p>____ "J" SIDE PAD FACE I.D.</p> <p>____ BASE FABRIC</p> <p>____ COLOR</p> <p><input type="checkbox"/> BLOCKOUT (IF REQUIRED)</p> <p>PROJ: ____ TOP ____ BOTTOM</p> <p>____ FABRIC</p> <p>____ COLOR</p> <p><input type="checkbox"/> FACE REINFORCEMENT</p> <p>____ FABRIC</p> <p>____ COLOR</p>	<p><input type="checkbox"/> INSIDE EDGE REINFORCEMENT</p> <p>____ FABRIC</p> <p>____ COLOR</p> <p><input type="checkbox"/> DYNA-ARMOR PLEATS</p> <p>____ FABRIC</p> <p>____ COLOR</p> <p>____ "PLEAT EXPOSURE</p> <p><input type="checkbox"/> FORMED STEEL BACK</p> <p><input type="checkbox"/> PAINTED <input type="checkbox"/> GALVANIZED</p> <p><input type="checkbox"/> NON-ROT BACK</p>	<p>GENERAL INFORMATION</p> <p>____ "K" DOOR WIDTH</p> <p>____ "L" DOOR HEIGHT</p> <p>____ "M" DOCK HEIGHT</p> <p>____ "N" DOCK BUMPER/LEDGE COMBINED PROJECTION</p> <p>DRIVE APPROACH:</p> <p><input type="checkbox"/> LEVEL <input type="checkbox"/> DECLINED <input type="checkbox"/> INCLINED</p> <p>FB- ____ QTY. ____ SHEET ____ OF ____</p>
<p>FAIRBORN USA INC.</p>			
<p>JOB: _____</p>			
<p>LOCATION: _____</p>			
<p>CONTRACTOR: _____</p>		<p>ARCHITECT: _____</p>	
<p>APPROVED BY SIGNATURE: _____</p>			

P.O. BOX 151 • 205 BROADVIEW STREET
UPPER SANDUSKY, OHIO 43351
800-262-1188 • 419-294-4987 • FAX: 419-294-4980
VISIT US AT WWW.FAIRBORNU.SA.COM