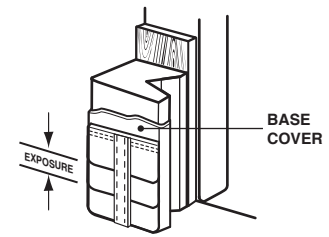
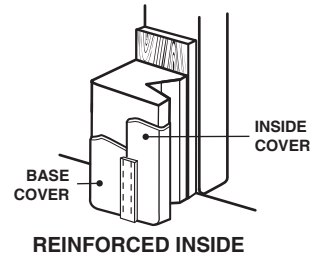
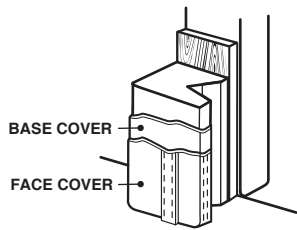
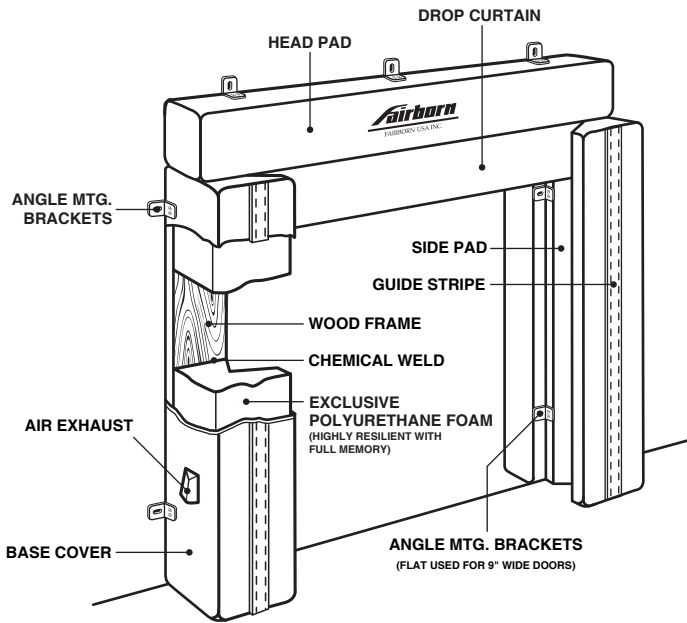
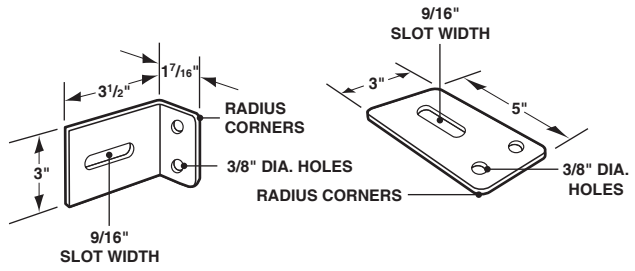
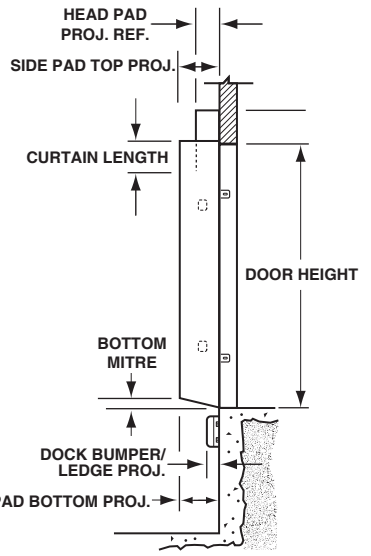
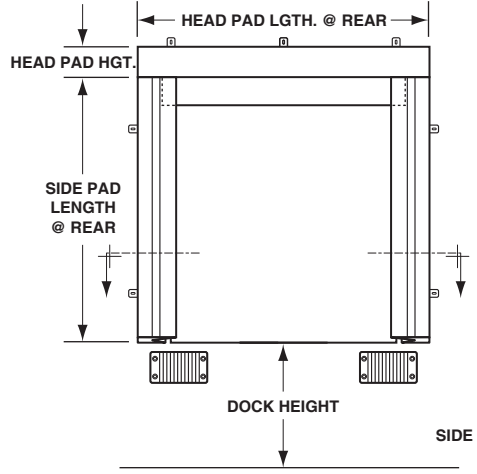
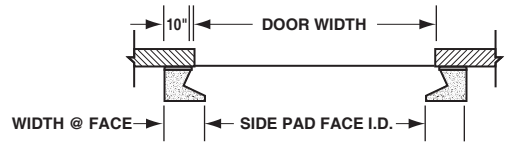


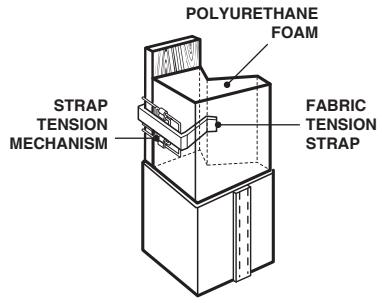
SERIES 1000L
DOCK SEAL



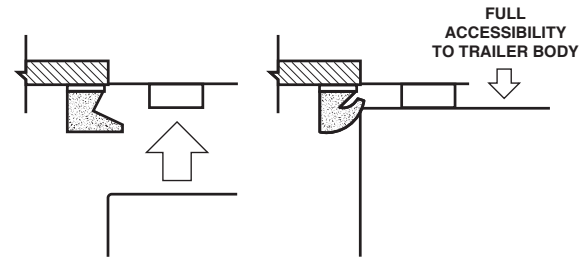
- SIDE PADS**
- 4" EXPOSURE
 - 8" EXPOSURE
 - 16" EXPOSURE



ANGLE AND FLAT MOUNTING BRACKETS



SIDE PAD COVER SUPPORT
(ASSEM. - TYP. 6 PLACES @ PAD)



FLEX ACTION OF SIDE PADS SHOWN AS TRAILER BODY ENTERS DOCK

GENERAL INFORMATION

- DOOR WIDTH
- DOOR HEIGHT
- DOCK HEIGHT
- DISTANCE BETWEEN DOORS
- CLEARANCE ABOVE DOOR
- DOCK BUMPER/LEDGE COMBINED PROJECTION

HEAD PAD DATA

- HEIGHT
- LENGTH AT REAR
- CURTAIN LENGTH

SIDE PAD DATA
(RECOMMENDED PROJECTION 10" BEYOND BUMPER; MAX. 30")

- TOP PROJECTION
- BOTTOM PROJECTION
- LENGTH AT REAR
- SIDE PAD FACE I.D.

FABRIC SELECTION

- SIDE PAD BASE
- SIDE PAD FACE REINFORCEMENT
- SIDE PAD INSIDE REINFORCEMENT
- HEAD PAD BASE
- HEAD PAD FACE REINFORCEMENT
- HEAD PAD UNDERSIDE REINFORCEMENT
- DYNA-ARMOR PLEATS

OPTIONS

- REINFORCED HEAD PAD FACE
- REINFORCED SIDE PAD FACE
- REINFORCED INSIDE EDGE SIDE PAD _____" UP FROM BOTTOM
- REINFORCED UNDERSIDE OF HEAD PAD
- FORMED STEEL BACK (MIN. 14 GAUGE)
 - PAINTED
 - GALVANIZED
- ROPE/PULLEY SYSTEM
- TOUCH & HOLD ATTACHMENTS



P.O. BOX 151 • 205 BROADVIEW STREET
UPPER SANDUSKY, OHIO 43351
800-262-1188 • 419-294-4987 • FAX: 419-294-4980
VISIT US AT... WWW.FAIRBORNUSA.COM

JOB: _____

LOCATION: _____

CONTRACTOR: _____ ARCHITECT: _____

APPROVED BY SIGNATURE: _____