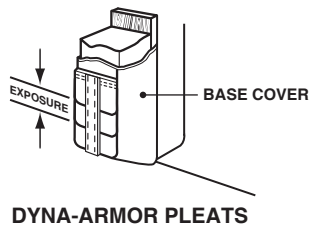
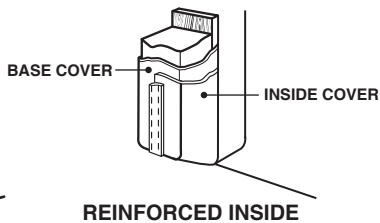
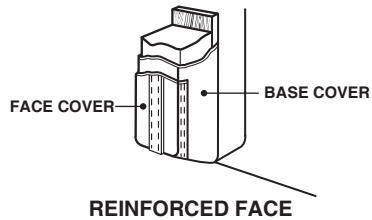
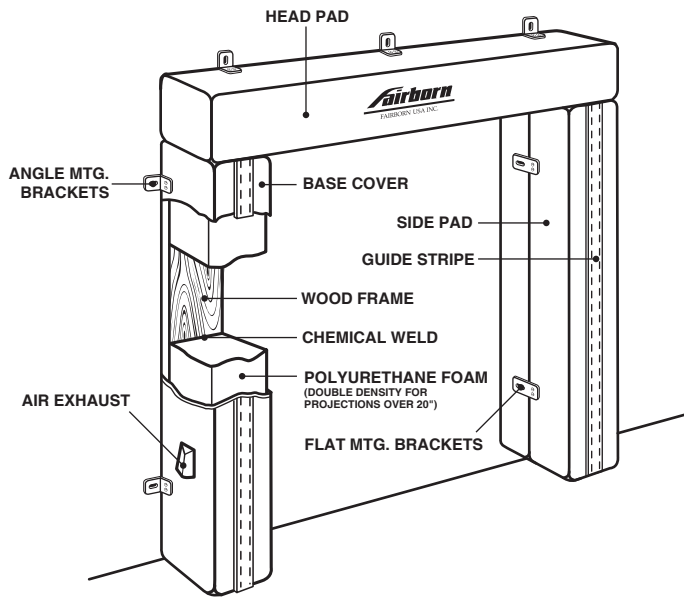
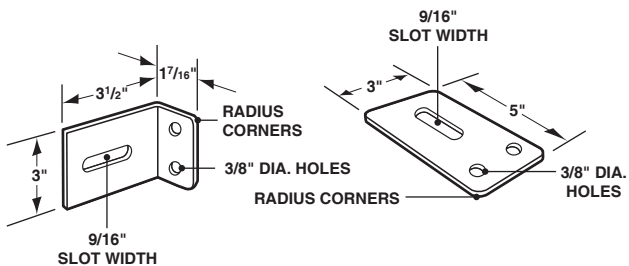
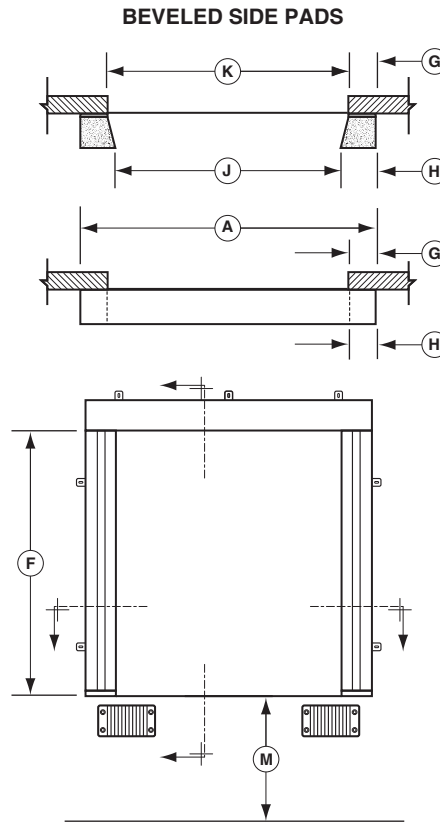


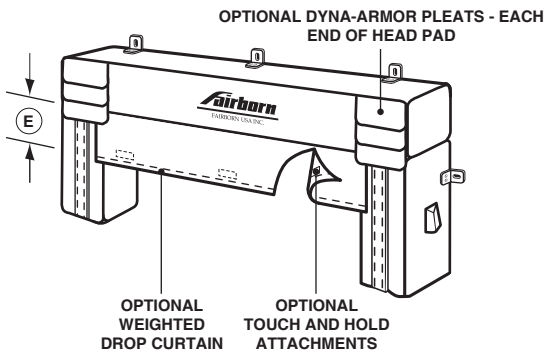
SERIES 1000 DOCK SEAL



4" EXPOSURE
8" EXPOSURE
16" EXPOSURE



ANGLE AND FLAT MOUNTING BRACKETS



- HEAD PAD DATA**
- MOUNTING: OVER SIDE PADS
 BETWEEN SIDE PADS
- ____ "A" WIDTH AT REAR
____ "B" HEIGHT
____ "C" HEIGHT AT FACE
____ "D" TOTAL PROJECTION
____ BASE FABRIC COLOR
- BLOCKOUT (IF REQUIRED) PROJECTION
____ FABRIC COLOR
- FACE REINFORCEMENT
____ FABRIC COLOR
- UNDERSIDE REINFORCEMENT
____ FABRIC COLOR
- DYNA-ARMOR ENDS
____ FABRIC COLOR
____ "P" PLEAT EXPOSURE
- FORMED STEEL BACK
 PAINTED GALVANIZED

- NON-ROT BACK
 WEIGHTED DROP CURTAIN
____ "E" HEIGHT
____ FABRIC COLOR
- TOUCH & HOLD ATTACHMENT
 ROPE/PULLEY SYSTEM
- SIDE PAD DATA**
- ____ "F" LENGTH AT REAR
____ "G" WIDTH AT REAR
____ "H" WIDTH AT FACE
____ "D" TOTAL PROJ. AT TOP
____ "I" TOTAL PROJ. AT BOTTOM
____ "J" SIDE PAD FACE I.D.
____ BASE FABRIC COLOR
- BLOCKOUT (IF REQUIRED) PROJ: ____ TOP ____ BOTTOM
____ FABRIC COLOR
- FACE REINFORCEMENT
____ FABRIC COLOR

- INSIDE EDGE REINFORCEMENT
____ FABRIC COLOR
- DYNA-ARMOR PLEATS
____ FABRIC COLOR
____ "P" PLEAT EXPOSURE
- FORMED STEEL BACK
 PAINTED GALVANIZED
- NON-ROT BACK

GENERAL INFORMATION

____ "K" DOOR WIDTH
____ "L" DOOR HEIGHT
____ "M" DOCK HEIGHT
____ "N" DOCK BUMPER/LEDGE COMBINED PROJECTION

DRIVE APPROACH:
 LEVEL DECLINED INCLINED

FB- ____ QTY. ____ SHEET ____ OF ____

Fairborn
FAIRBORN USA INC.

P.O. BOX 151 • 205 BROADVIEW STREET
UPPER SANDUSKY, OHIO 43351
800-262-1188 • 419-294-4987 • FAX: 419-294-4980
VISIT US AT... WWW.FAIRBORNU.SA.COM

JOB: _____

LOCATION: _____

CONTRACTOR: _____ ARCHITECT: _____

APPROVED BY SIGNATURE: _____